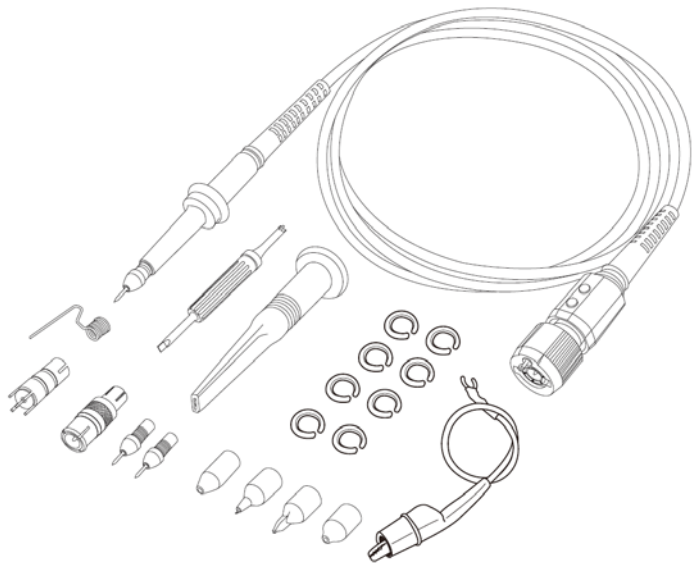




TELEDYNE LECROY
Everywhereyoulook™



Operator's Manual

PP025

Passive Probe

PP025-1	
PP025-2	



TELEDYNE LECROY
Everywhereyoulook™

700 Chestnut Ridge Road
Chestnut Ridge, NY, 10977-6499
Tel: (845) 425-2000, Fax: (845) 578 5985
teledynelecroy.com

PP025 Passive Probe Instruction Manual

© 2015 Teledyne LeCroy, Inc. All rights reserved.

Unauthorized duplication of Teledyne LeCroy documentation materials other than for internal sales and distribution purposes is strictly prohibited. However, clients are encouraged to duplicate and distribute Teledyne LeCroy documentation for internal educational purposes.

Teledyne LeCroy is a registered trademark of Teledyne LeCroy, Inc. Other product or brand names are trademarks or requested trademarks of their respective holders. Information in this publication supersedes all earlier versions. Specifications subject to change without notice.

Manufactured under an ISO 9000 Registered Quality Management System.



This electronic product is subject to disposal and recycling regulations that vary by country and region. Many countries prohibit the disposal of waste electronic equipment in standard waste receptacles. For more information about proper disposal and recycling of your Teledyne LeCroy product, visit teledynelecroy.com/recycle.



926214-00
November, 2015

Terms and Symbols

The following symbols appear on the product or in its documentation:



DANGER	High Voltage
---------------	--------------



WARNING	Refer to Manual. Condition or practice could result in injury or loss of life.
----------------	--



DOUBLE INSULATION



PROTECTIVE (EARTH) TERMINAL

Introduction

The Teledyne LeCroy PP025 is a passive high impedance voltage oscilloscope probe designed and calibrated for use with general purpose oscilloscopes having an input impedance of 1 M Ω and can be compensated for use with instruments having an input capacitance between 14 to 25 pF. It is compatible with oscilloscopes that automatically detect probe attenuation and adjust their readout accordingly.

PP025 Passive Probe

Specifications

Model	Attn.	Input Imped.		B/W (MHz)	Rise Time (ps)	Length (m)	Compensation Range (pF)
		R (M Ω)	C (pF)				
PP025	10x	10	10	500	700	1.3	14 - 25

Attenuation Ratio 10:1 \pm 1%

Max. Input Voltage..... Measurement Category I ¹: 500 Vrms
1500 V transient overvoltage
(see voltage derating curve on p. 3)
Measurement Category II ²: 400 Vrms

Pollution Degree Pollution Degree 2 ³

Operating Temperature 0° C to +50° C

Humidity 5% to 95% RH (10° C to 30° C)
5% to 75% RH (30° C to 40° C)
5% to 50% RH (above 40° C)
RH not controlled below 10° C

Operating Altitude..... 3000 meters maximum



To reduce risk of fire or electric shock, do not exceed the voltage or category ratings of the probe.

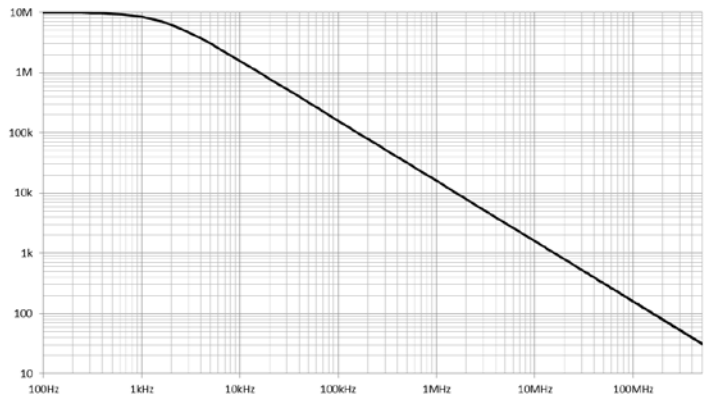
Definitions (per EN 61010-031)

1) Measurement Category I (CAT I) refers to measurements performed on circuits not directly connected to mains.

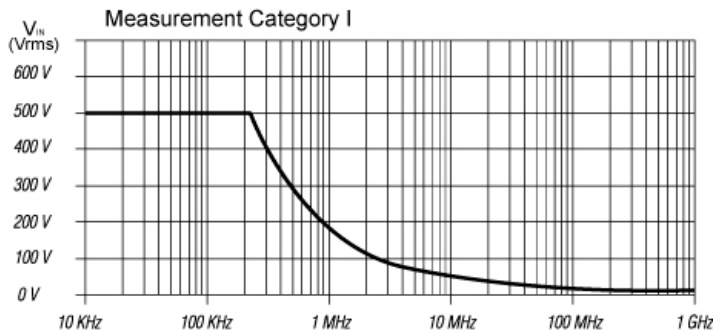
2) Measurement Category II (CAT II) refers to measurements performed on circuits directly connected to the low-voltage installation.

3) Pollution Degree 2 refers to operating environment where normally only dry, non-conductive pollution occurs. Temporary conductivity caused by condensation must be expected.

PP025 Input Impedance Profile



Voltage vs. Frequency Derating Curve



PP025 Passive Probe

EC Declaration of Conformity



The probe is marked with this symbol to show compliance was demonstrated to the specifications listed in the Official Journal of the European Communities: Low Voltage Directive 2006/95/EC:

EN 61010-031/A1:2008 Safety requirements for electrical equipment for measurement, control and laboratory use – Part 031: Safety requirements for handheld probe assemblies for electrical measurement and test.

EU RoHS Compliance

The probe and its accessories conform to the 2011/65/EU RoHS2 Directive, as they have been classified as Industrial Monitoring and Control Equipment (per Article 3, Paragraph 24) and are exempt from RoHS compliance until 22 July 2017 (per Article 4, Paragraph 3).

General Safety Information



Observe generally accepted safety procedures in addition to those listed here to avoid personal injury or damage to equipment. **The overall safety of any system incorporating this accessory is the responsibility of the assembler of the system.**

Connect only to grounded instruments. Use only with compatible Teledyne LeCroy oscilloscopes that have their BNC input connected to an earth ground. Do not connect the probe reference lead to any point which is at a potential other than earth ground.

Connect and disconnect properly. Connect probe to the oscilloscope before connecting it to the test circuit. Disconnect the probe input and reference lead from the test circuit before disconnecting from the oscilloscope. Do not connect or disconnect probes while they are connected to a voltage source.

Do not overload. Do not apply any potential to the probe leads that exceeds the maximum rating of the probe. **Always comply with the Voltage vs. Frequency Derating Curve.**

Observe all terminal ratings. Observe all markings on the oscilloscope before connecting. Consult the oscilloscope product manual for further ratings information.

Do not remove probe casing. Touching exposed connections may result in electric shock.

Use indoors only within operational environment listed. Do not use in wet or explosive atmospheres. Keep product surfaces clean and dry.

Handle with care. Probe tips are extremely sharp and may puncture skin or cause other bodily injury if not handled properly.

Keep fingers behind the finger guard of probe body and accessories.

Do not operate with suspected failures. Before each use, inspect the probe and accessories for any potential damage such as tears or other defects in the probe body, cable jacket, accessories, etc. If any part is damaged, cease operation immediately and sequester the probe from inadvertent use.

Cleaning

- Clean only the exterior of the probe, cables, and accessories. Use a soft cotton cloth moistened with a mild detergent and water solution. Do not allow any portion of the probe to be submerged at any time.
- Dry the probe and accessory thoroughly before attempting to make any voltage measurement.
- Do not subject the probe to solvents or solvent fumes as these can cause deterioration of the probe body, cables, and accessories.

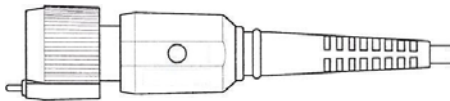
PP025 Passive Probe

Probe Compensation

Proper compensation of the probe is required to assure amplitude accuracy of the waveform being measured by matching the probe to the oscilloscope's input capacitance. Compensation should be adjusted whenever the probe is connected to or transferred between oscilloscopes.

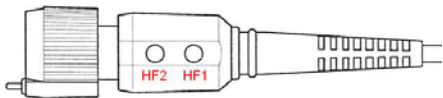
Low Frequency

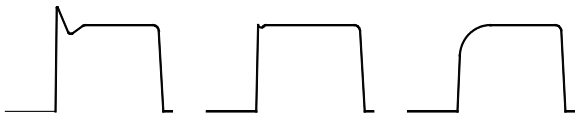
1. Apply a 1 kHz square wave to the probe or connect to the oscilloscope's calibrator output.
2. Adjust the single LF trimmer located on the PP025 BNC Box until you achieve a flat-topped square wave (see figure below):



High Frequency

1. Apply a 1 MHz square wave to the probe (< 0.7 ns rise-time).
2. Remove the plastic caps from the two, high-frequency trimmers on the PP025 BNC Compensation Box.
3. Adjust HF2 then HF1 until you achieve a flat-topped square wave (see figure below).





Over-compensated, correct, and under-compensated waveforms

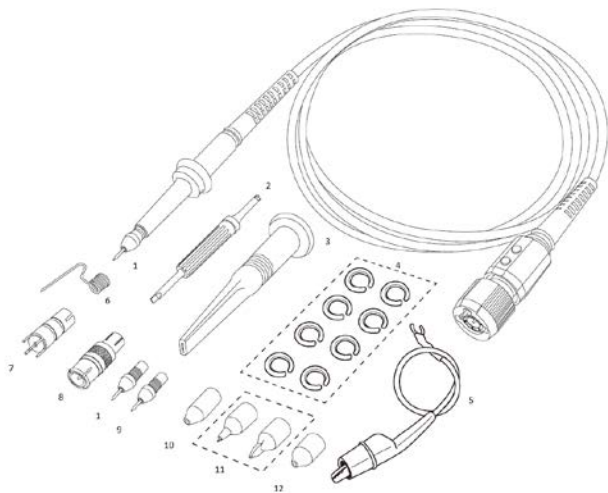
Service

Refer all service to qualified personnel. See the back of this manual for a list of regional service centers.

For a complete list of offices by country, including our sales & distribution partners, visit: teledynelecroy.com/support/contact

PP025 Passive Probe

Replaceable Parts



Item	Part Number	Description	Quantity
1	PK6-5MM-101	Rigid Probe Tip (1 installed standard)	2
2	PK5-PK6-001	Trimmer Tool	1
3	PK6-5MM-102	Sprung Hook	1
4	PK5-PK6-002	Color Coding Rings (2 ea. yellow, red, green, blue)	8
5	PK6-5MM-103	Ground Lead with Alligator Clip	1
6	PK6-5MM-104	Ground Spring	1
7	PK6-5MM-105	PCB Adapter	1
8	PK6-5MM-106	BNC Adapter 5mm	1
9	PK6-5MM-107	Spring Tip	1
10	PK6-5MM-108	Probe Tip Cover	1
11	PK6-5MM-109	IC Tip Insulators	2
12	PK6-5MM-110	Tip Insulator	1

Standard Accessory Replacement Kit part number is **PKIT6-5MM-101**.

Warranty

NOTE: THE WARRANTY BELOW REPLACES ALL OTHER WARRANTIES, EXPRESSED OR IMPLIED, INCLUDING BUT NOT LIMITED TO ANY IMPLIED WARRANTY OF MERCHANTABILITY, FITNESS, OR ADEQUACY FOR ANY PARTICULAR PURPOSE OR USE. TELEDYNE LECROY SHALL NOT BE LIABLE FOR ANY SPECIAL, INCIDENTAL, OR CONSEQUENTIAL DAMAGES, WHETHER IN CONTRACT OR OTHERWISE. THE CUSTOMER IS RESPONSIBLE FOR THE TRANSPORTATION AND INSURANCE CHARGES FOR THE RETURN OF PRODUCTS TO THE SERVICE FACILITY. TELEDYNE LECROY WILL RETURN ALL PRODUCTS UNDER WARRANTY WITH TRANSPORT PREPAID.

Teledyne LeCroy warrants this oscilloscope accessory for normal use and operation within specification for a period of one year from the date of shipment. Spare parts, replacement parts and repairs are warranted for 90 days.

In exercising its warranty, Teledyne LeCroy, at its option, will either repair or replace any assembly returned within the warranty period to the Customer Service Department of an authorized service center. However, this will be done only if the product is determined by Teledyne LeCroy's examination to be defective because of workmanship or materials, and the defect is not caused by misuse, neglect, accident, abnormal conditions of operation; or, damaged by attempted repair or modifications by a non-authorized service facility.

The customer will be responsible for the transportation and insurance charges for the return of products to the service facility. Teledyne LeCroy will return all products under warranty with transportation charges prepaid.

This warranty replaces all other warranties, expressed or implied, including, but not limited to, any implied warranty of merchantability, fitness, or adequacy for any particular purposes or use. Teledyne LeCroy shall not be liable for any special, incidental, or consequential damages, whether in contract or otherwise.

PP025 Passive Probe

Teledyne LeCroy Service Centers

World Wide Corporate Office

Teledyne LeCroy

700 Chestnut Ridge Road

Chestnut Ridge, NY, 10977, USA

teledynelecroy.com

Sales and Service:

Ph: 800-553-2769 / 845-425-2000

FAX: 845-578-5985

contact.corp@teledynelecroy.com

Support:

Ph: 800-553-2769

support@teledynelecroy.com

US Protocol Solutions Group

Teledyne LeCroy

3385 Scott Boulevard

Santa Clara, CA, 95054, USA

teledynelecroy.com

Sales and Service:

Ph: 800-909-7211 / 408-727-6600

FAX: 408-727-0800

protocolsales@teledynelecroy.com

Support:

Ph: 800-909-7112 / 408-653-1260

psgsupport@teledynelecroy.com

European Headquarters

Teledyne LeCroy SA
4, Rue Moïse Marcinhes
Case postale 3411217 Meyrin 1
Geneva, Switzerland
teledynelecroy.com/Europe
Ph: + 41 22 719 2111
FAX: + 41 22 719 2230
contact.sa@teledynelecroy.com

China

LeCroy Corporation Beijing
Rm. 2001, Unit A, Horizon Plaza
No. 6, Zhichun Road, Haidian Dist.
Beijing 100088, China
www.lecroy.com.cn
Sales:
Ph: 86-10-82800318/0319/0320
FAX:86-10-82800316
Marketing.China@teledynelecroy.com
Service:
Rm. 2002
Ph: 86-10-82800245
Service.China@teledynelecroy.com

PP025 Passive Probe

Korea

Teledyne LeCroy Korea
10th fl. 333 Yeongdong-daero
Gangnam-gu
Seoul 135-280, Korea
teledynelecroy.com/korea
Ph: ++ 82 2 3452 0400
FAX: ++ 82 2 3452 0490

Japan

Teledyne LeCroy Japan
3F, Houbunshafuchu Bldg.
3-11-5, Midori-cho, Fuchu-Shi
Tokyo 183-0006, Japan
teledynelecroy.com/japan
Ph: + 81-42-402-9400
FAX: + 81-42-402-9586

926214-00

November, 2015



700 Chestnut Ridge Road
Chestnut Ridge, NY 10977
USA

www.teledynelecroy.com