

SUMMARY

Wires

| | |
|---------|---|
| Low | 0 |
| High | 0 |
| Coax | 0 |
| Triax | 0 |
| Quad | 0 |
| Fiber | 0 |
| Fluidic | 0 |

| | |
|------------------|-------------------------|
| Series | 1K |
| Termination type | No contacts / Accessory |
| IP rating | 68 |
| Cable Ø | 0.00 - 0.00 mm |
| Matching parts | |
| Status | |
| Alternative part | |



Image is for illustrative purpose only

Download

[Request a quote](#)

[Catalog](#)

TECHNICAL DETAILS

Mechanics

| | |
|-------------------|----------------------------------------------------------------------|
| Shell Style/Model | BRE*: Cap for receptacle |
| Keying | No keying |
| Housing Material | Brass (nickel plated) shell, collet nut, latch sleeve and mid pieces |
| Cable Fixing | ∅ 0 - 0 mm |
| Variant | |

Performance

| |
|---------------|
| Configuration |
| Insulator |
| Rated Current |

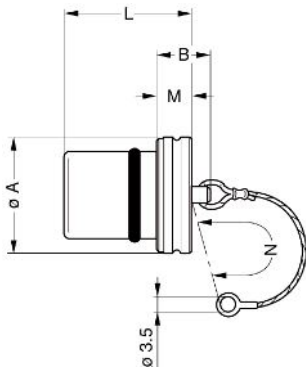
Others

| |
|---------------------------------------|
| Endurance (Shell): 5000 mating cycles |
| Temp (min / max): -55°C / +200°C |

Humidity (max): <=95% [at 60 deg C /140 F]
Vibration: 15 g [10 Hz - 2000 Hz]
Shock Resistance: 100 g [6 ms]
Salt Spray Corrosion: >1000 hr
Climatical Category: 50/175/21
Shielding (min): 95 dB (10 MHz)
Shielding (min): 80 dB (1 GHz)
IP Rating: 68

DRAWINGS

Draws



Dimensions

| | A | B | L | M | N |
|-----|------|------|------|------|------|
| mm. | 17 | 12 | 20 | 6 | 85 |
| in. | 0,67 | 0,47 | 0,79 | 0,24 | 3,35 |

RECOMMENDED BY LEMO

Tools

None

Cables