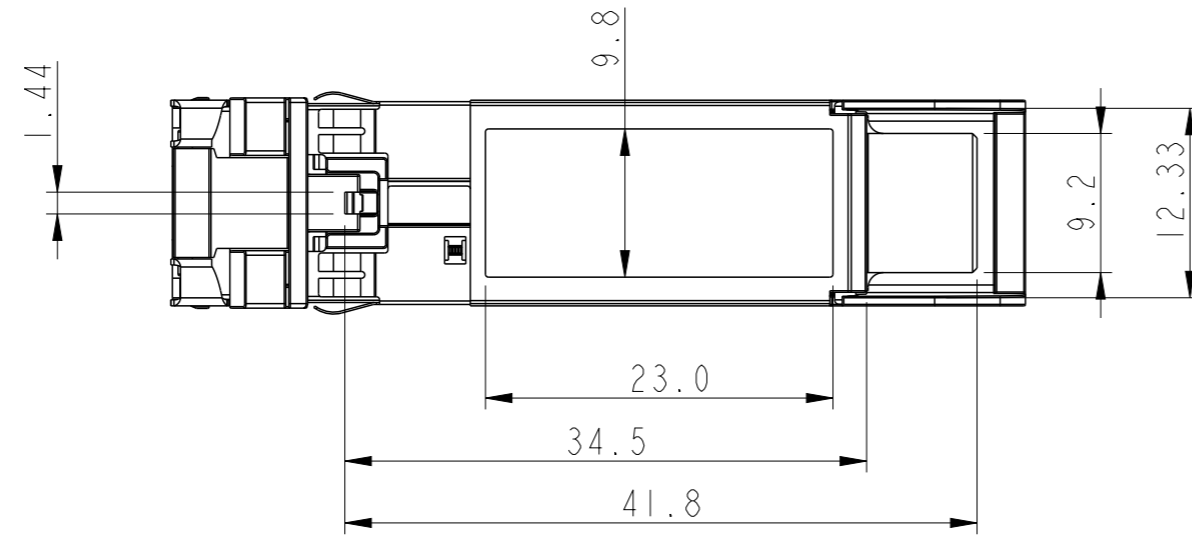
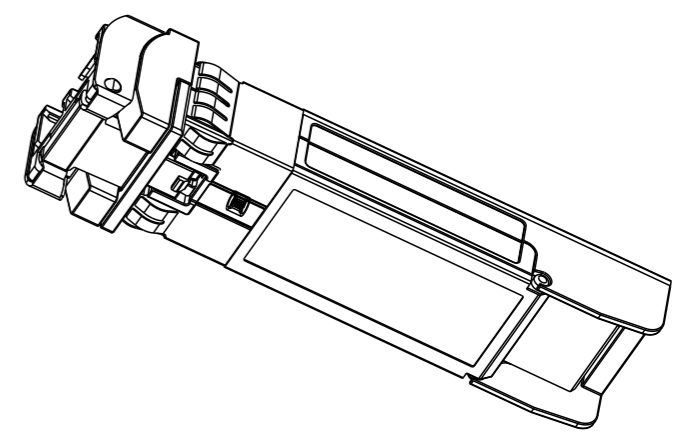
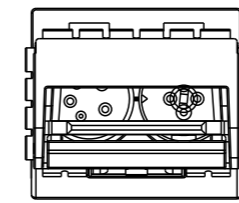
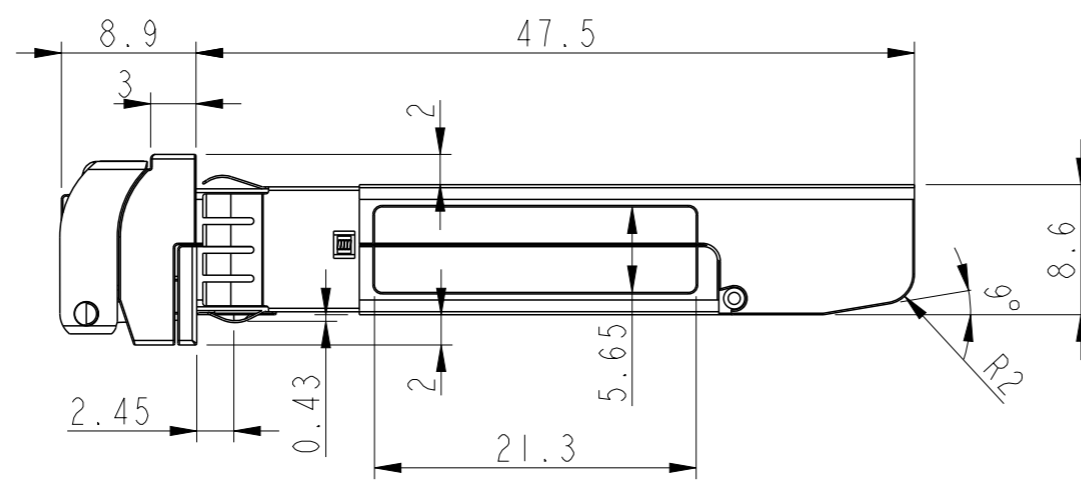
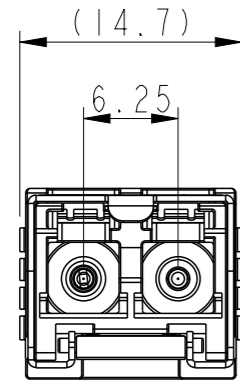
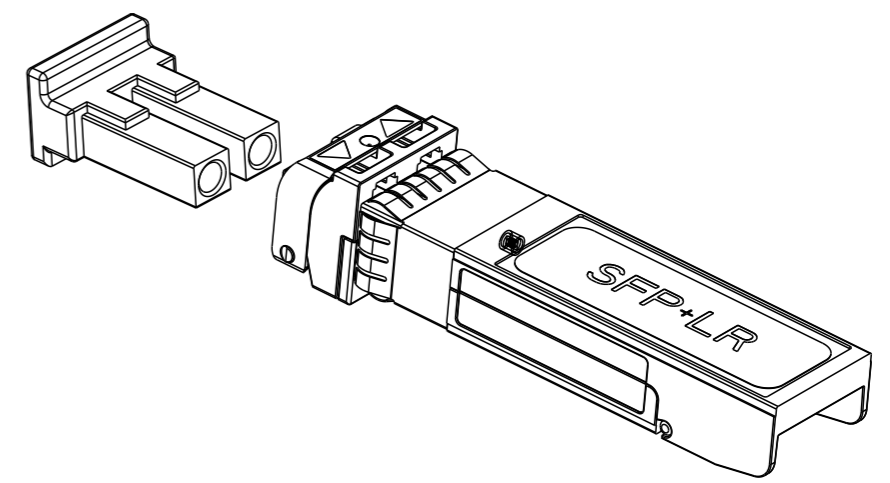
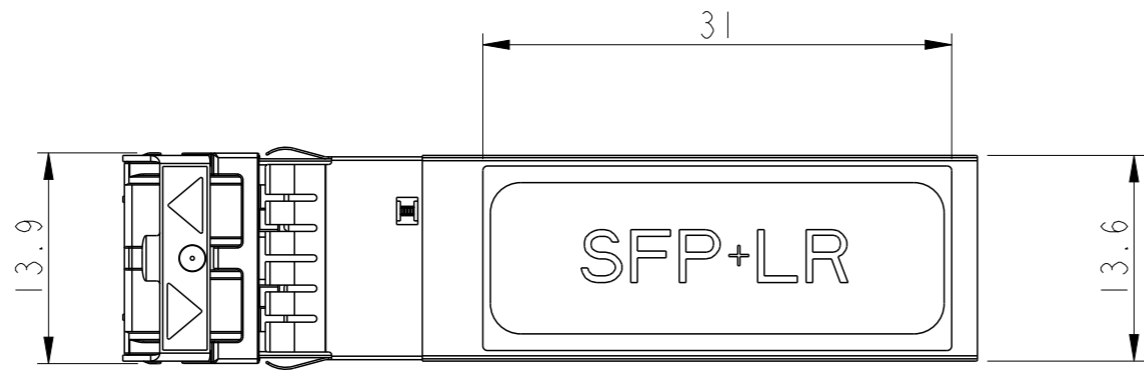


PART NUMBER
TRX10GDP0311A1



NOTES:

1. REFERENCE PRODUCT SPECIFICATION GS-12-1108 FOR DETAILED TRANSCEIVER SPECIFICATIONS.
2. TRANSCEIVER ASSEMBLY IS RoHS 6/6 COMPLIANT.
3. TRANSCEIVER ASSEMBLY IS PACKAGED IN BLISTER PACKAGING.
4. DIMENSIONS ARE FOR REFERENCE ONLY.



Copyright FCI.

spec ref	-	dr	Sun Shine	2013/01/21	projection	mm	size	A3	scale	1:1	
tolerance std	ISO 406 ISO 1101	eng	Sun Shine	2013/05/20			ecn no	ELX-N-14677-1	rel level	Released	
TOLERANCES UNLESS OTHERWISE SPECIFIED		chr	-	apppr							Wei-Zhong Hu
surface	ISO 1302	linear	0.X	±0.3			title	SFP+ LR ASSEMBLY		rev	B
			0.XX	±0.1	www.fci.com		dwg no	TRX10GDP0311A1			
		angular	0°	±2°	cat. no.		Product - Customer Drw		sheet 1 of 1		