

THE INFORMATION CONTAINED HEREIN IS CONSIDERED "PROPRIETARY" TO BEL FUSE INC. AND SHALL NOT BE COPIED, REPRODUCED OR DISCLOSED WITHOUT THE WRITTEN APPROVAL OF BEL FUSE INC.

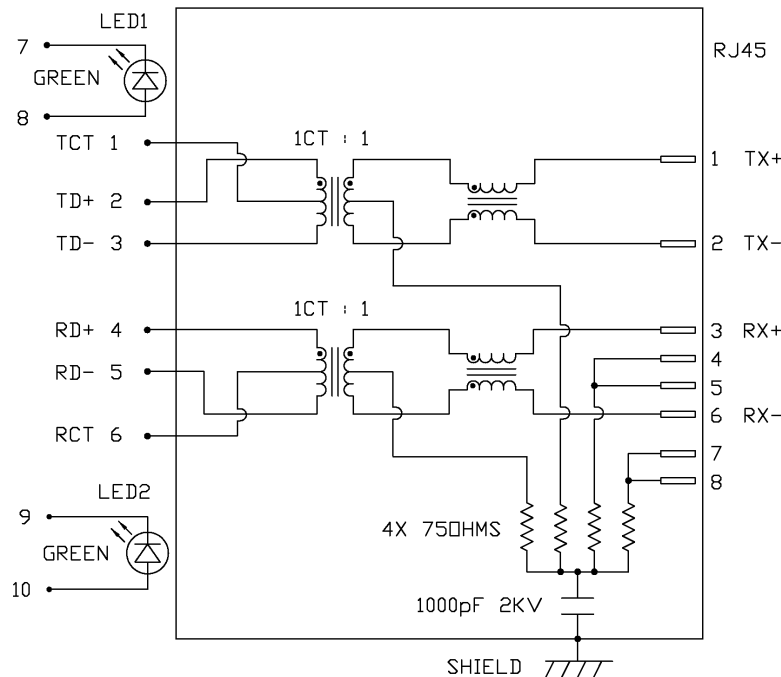


LED1 POLARITY			LED2 POLARITY		
PIN 7	PIN 8	COLOR	PIN 9	PIN 10	COLOR
-	+	GREEN	-	+	GREEN

ELECTRICAL CHARACTERISTICS @ 25°C

URNS RATIO			
TX	1CT : 1		
RX	1CT : 1		
OCL @ 100kHz/100mVRMS			
8mA DC BIAS	350µH MIN.		
INS. LOSS			
1MHz TO 100MHz	-1.0 dB MAX		
RET. LOSS (MIN)			
1MHz-30MHz	-18 dB		
30MHz-60MHz	-18+20LOG(F/30MHz) dB		
60MHz-80MHz	-12 dB		
CROSS TALK (TX - RX)			
500kHz-1MHz	-70 dB MIN		
10 MHz	-50 dB MIN		
30 MHz	-45 dB MIN		
50 MHz	-40 dB MIN		
100 MHz	-35 dB MIN		
CM TO CM REJ			
100kHz-1MHz	-70 dB MIN		
10 MHz	-47 dB MIN		
30 MHz	-42 dB MIN		
60 MHz	-37 dB MIN		
100 MHz	-30 dB MIN		
CM TO DM REJ			
100kHz-1MHz	-70 dB MIN		
10 MHz	-60 dB MIN		
30 MHz	-50 dB MIN		
60 MHz	-45 dB MIN		
100 MHz	-40 dB MIN		
HIPOT (Isolation Voltage):	1500 Vrms or 2250VDC		
LED 1 & LED 2			
VF (FORWARD VOLTAGE)	IF=20mA GREEN	2.2V TYP.	
λD (DOMINANT WAVELENGTH)	IF=20mA GREEN	565nm TYP.	

SCHEMATIC

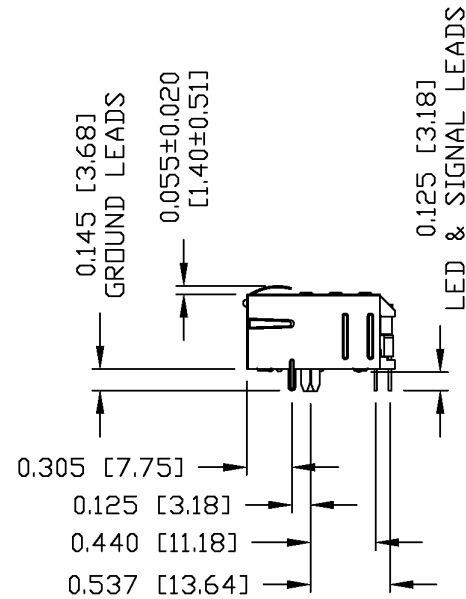
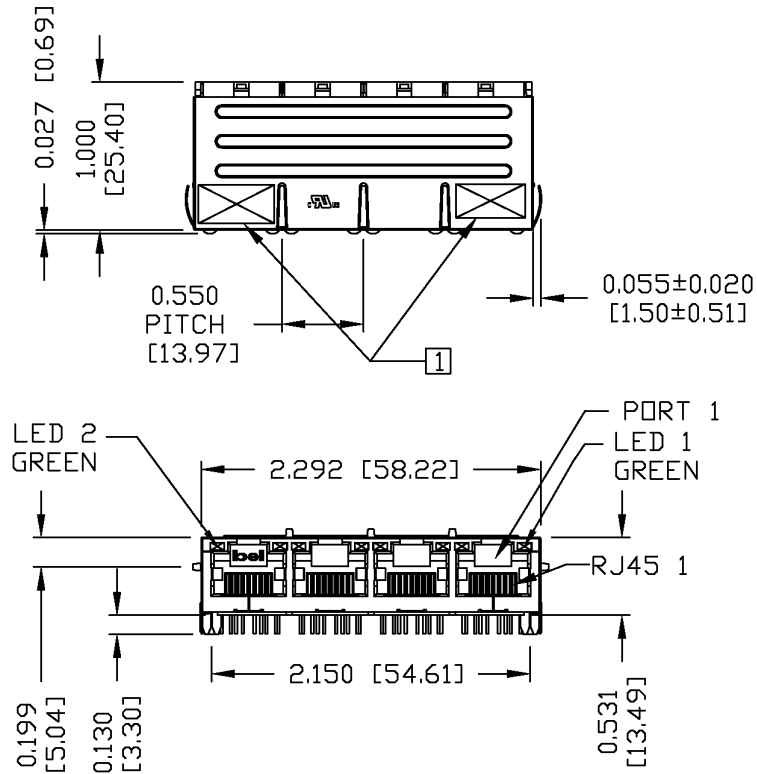


ORIGINATED BY	DATE	TITLE	PART NO. / DRAWING NO.	STANDARD DIM.	[] METRIC DIM. AS REFERENCE
CHUNG	06-16-06	MagJack®	08B01G4T36-F	TOL. IN INCH	UNIT : INCH [mm] REV. : A
DRAWN BY	DATE	(4 Cores, MDIX, CM Termination)	FILE NAME	.X	SCALE : N/A SIZE : A4
DE	06-16-06	08B0-1G4T-36-F	08B01G4T36-FA.DWG	.XX	PAGE : 2
				.XXX	

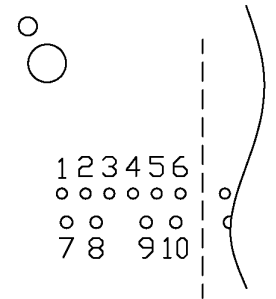


THE INFORMATION CONTAINED HEREIN IS CONSIDERED 'PROPRIETARY' TO BEL FUSE INC. AND SHALL NOT BE COPIED, REPRODUCED OR DISCLOSED WITHOUT THE WRITTEN APPROVAL OF BEL FUSE INC.

RoHS
2002/95/EC



PIN ASSIGNMENT - EACH PORT
COMPONENT SIDE VIEW



SCALE 2:1

NOTES:

- PLASTIC HOUSING: THERMOPLASTIC PBT
FLAMMABILITY RATING UL 94V-0
- CONTACTS PLATING: 15 MICRO-INCH HARD GOLD PLATING
- PINS: TIN-COATED COPPER WIRE, DIA 0.018 INCH.
- METAL SHIELD: NICKEL PLATED ON COPPER ALLOY.
(ALL GROUND LEADS ARE SOLDER DIPPED)

1] MARK PART WITH MFG LOGO, MFG NAME, PART NUMBER, AND DATE CODE.

UL UL RECOGNIZED - FILE #E196366 AND E169987.

RoHS COMPLIANT, PER EU DIRECTIVE 2002/95/EC

JACK CAVITY CONFORMS TO FCC RULES AND REGULATIONS.

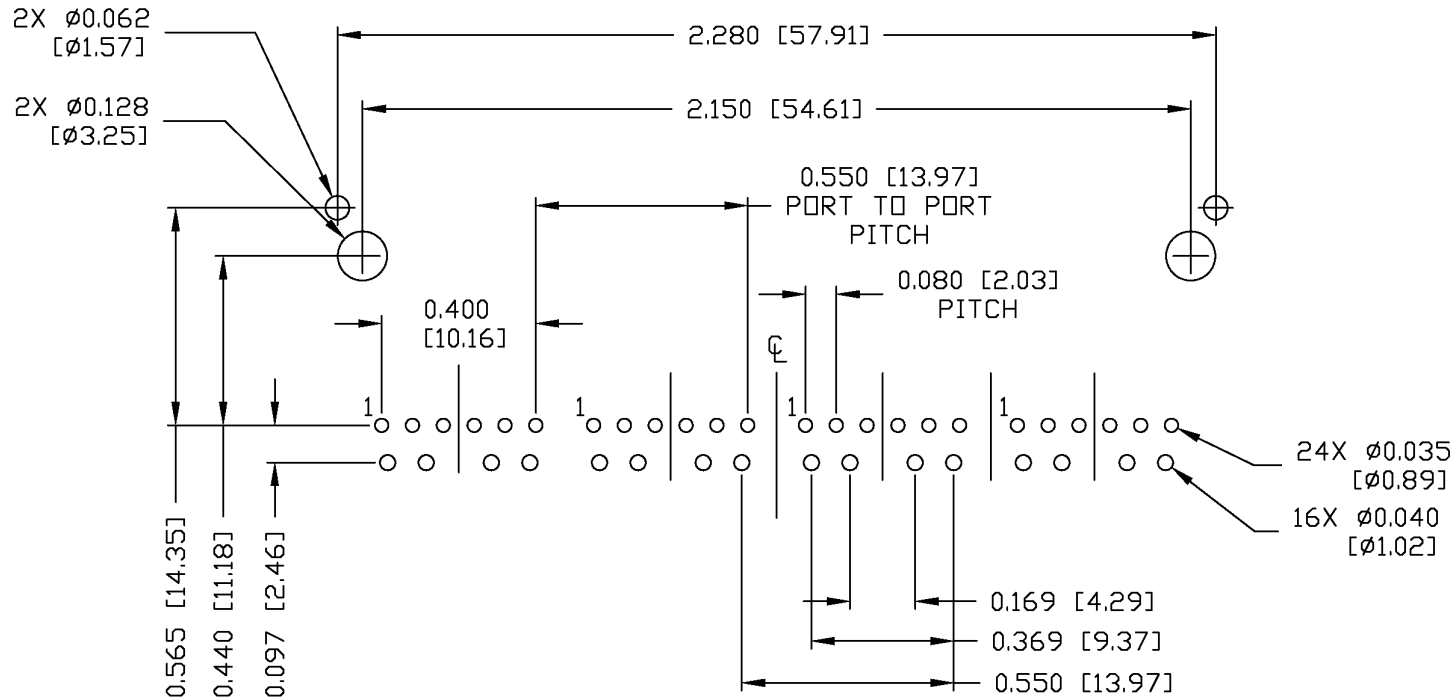
ORIGINATED BY QIN/BILL	DATE 06-16-06	TITLE MagJack® (4 Cores, MDIX, CM Termination)	PART NO. / DRAWING NO. 08B01G4T36-F		STANDARD DIM. TOL. IN INCH	[] METRIC DIM. AS REFERENCE	
	DATE 06-16-06		FILE NAME 08B01G4T36-FA.DWG	.X .XX .XXX	UNIT : INCH [mm] SCALE : N/A ⊕	REV. : A SIZE : A4 PAGE : 3	



THE INFORMATION CONTAINED HEREIN IS CONSIDERED "PROPRIETARY" TO BEL FUSE INC. AND SHALL NOT BE COPIED, REPRODUCED OR DISCLOSED WITHOUT THE WRITTEN APPROVAL OF BEL FUSE INC.



RECOMMENDED PCB FOOTPRINT
COMPONENT SIDE VIEW



ORIGINATED BY QIN/BILL	DATE 06-16-06	TITLE MagJack® (4 Cores, MDIX, CM Termination) 08B0-1G4T-36-F	PART NO. / DRAWING NO. 08B01G4T36-F		STANDARD DIM. TOL. IN INCH		[] METRIC DIM. AS REFERENCE	
	DATE 06-16-06		FILE NAME 08B01G4T36-FA.DWG	.X /	.XX /	.XXX ±0.004	UNIT : INCH [mm]	REV. : A
						SCALE : N/A		SIZE : A4
								PAGE : 4

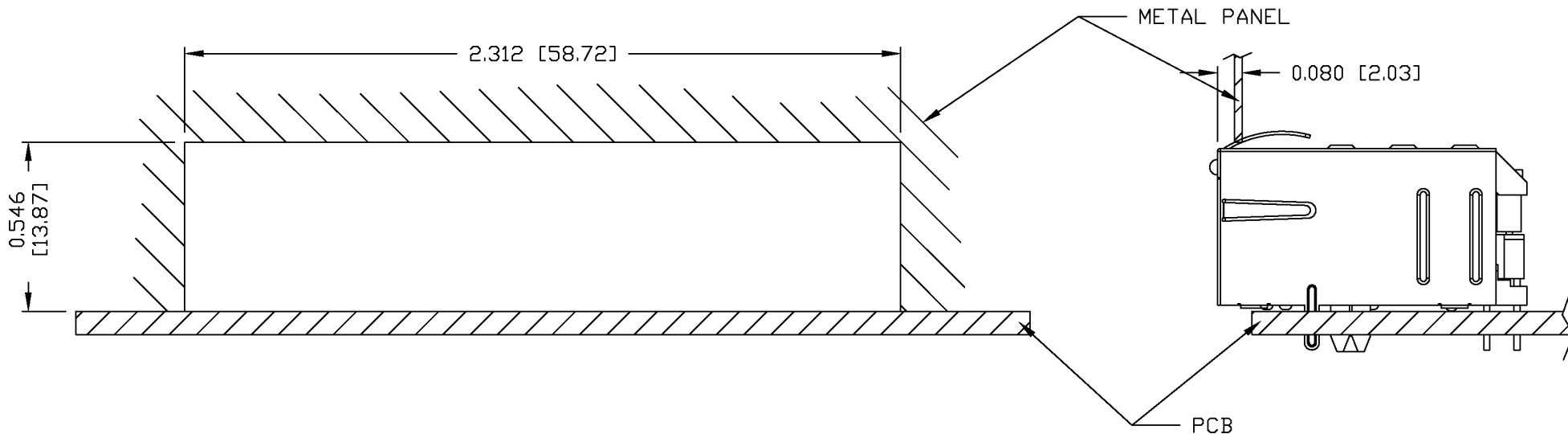


THE INFORMATION CONTAINED HEREIN IS CONSIDERED "PROPRIETARY" TO BEL FUSE INC. AND SHALL NOT BE COPIED, REPRODUCED OR DISCLOSED WITHOUT THE WRITTEN APPROVAL OF BEL FUSE INC.

RoHS
2002/95/EC



SUGGESTED PANEL OPENING



NOTES:

THE DISTANCE OF PANEL INSIDE SURFACE RELATIVE TO FRONT SURFACE OF PART IS ONLY A SUGGESTION. IN CASE THIS DISTANCE IS DIFFERENT, THE REQUIRED PANEL OPENING DIMENSIONS CHANGE ACCORDINGLY.

PACKING INFORMATION

PACKING TRAY : 0200-0148-17

PACKING QUANTITY : 30 PCS FINISHED GOODS PER TRAY.

10 TRAYS (300 PCS FINISHED GOODS) PER CARTON BOX.

NOTE : CARDBOARDS ARE PLACED BETWEEN LAYERS OF PACKING TRAY INSIDE CARTON BOX.

(INCLUDE THE UPPERMOST AND LOWERMOST TRAY)

ORIGINATED BY QIN/BILL	DATE 06-16-06	TITLE MagJack® (4 Cores, MDIX, CM Termination)	PART NO. / DRAWING NO. 08B01G4T36-F		STANDARD DIM. TOL. IN INCH		[] METRIC DIM. AS REFERENCE	
			FILE NAME 08B01G4T36-FA.DWG		.X		UNIT : INCH [mm]	REV. : A
DRAWN BY TING	DATE 06-16-06	08B0-1G4T-36-F			.XX		SCALE : N/A	SIZE : A4
					.XXX	±0.004		PAGE : 5

