

THIS DRAWING IS UNPUBLISHED.

RELEASED FOR PUBLICATION


ALL RIGHTS RESERVED.

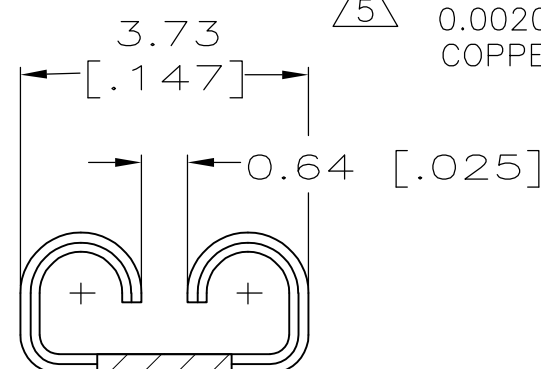
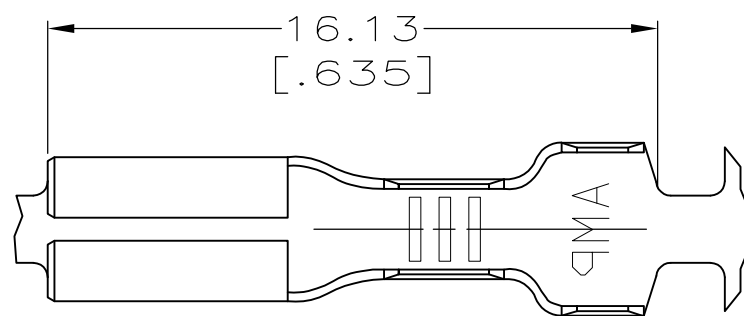
© COPYRIGHT - By -

LOC AF DIST 50

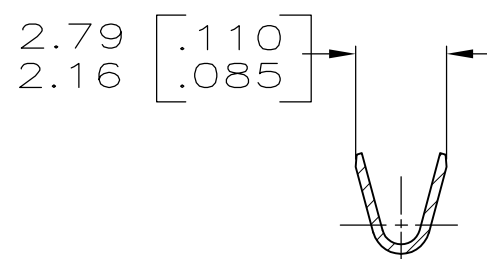
REVISIONS

P	LTR	DESCRIPTION	DATE	DWN	APVD
D		REVISED PER ECR-12-013459	27NOV2012	KH	PD

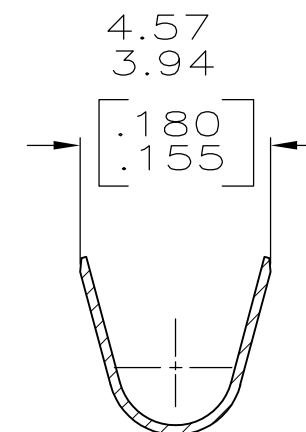
- CONTINUOUS STRIP ON REELS.
- MATING TAB THK IS 0.81 ± 0.025 [$.032 \pm .001$].
- WIRE SIZE IS [#22-#18] AWG.
- INSULATION RANGE IS 2.29-3.30 [$.090-.130$] DIA.
-  0.002032 [$.000080$] MIN TIN OVER COPPER



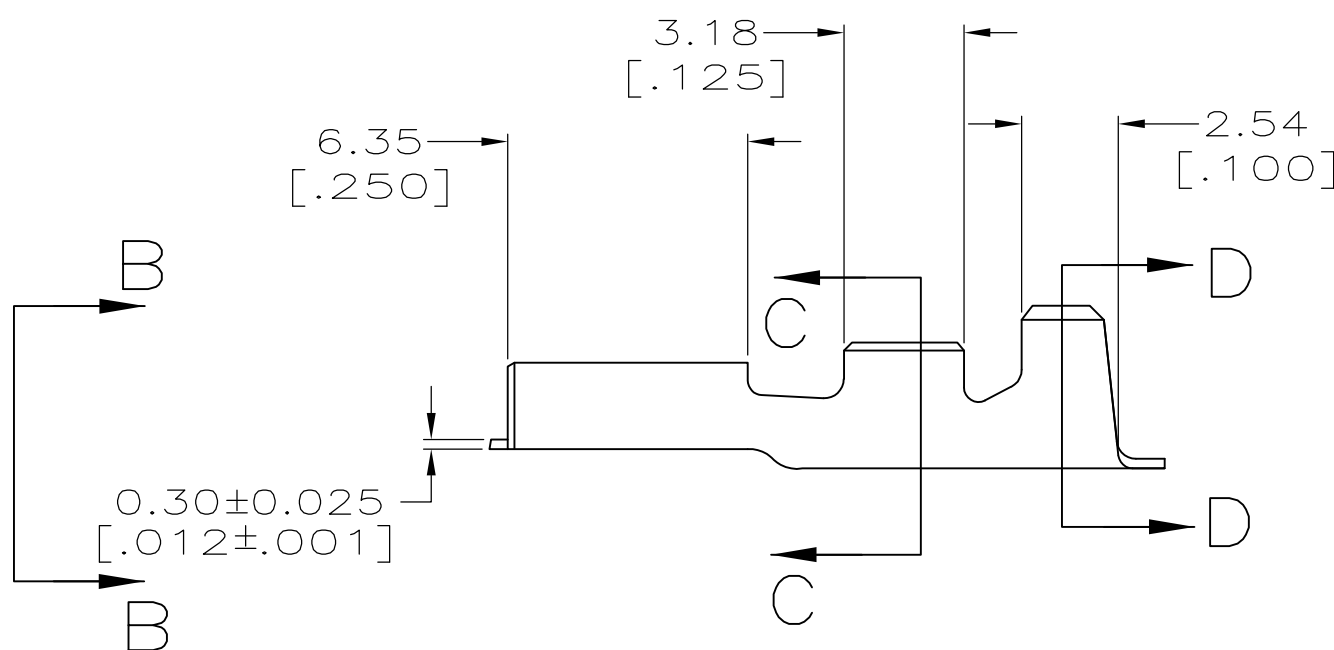
VIEW B-B
SCALE 10:1




SECTION C-C



SECTION D-D



63021-1
PART NO.

THIS DRAWING IS A CONTROLLED DOCUMENT.		DWN JR RUTH 5/23/97	 TE Connectivity		
DIMENSIONS: mm [INCHES]		CHK P FORTNEY 5/23/97			
TOLERANCES UNLESS OTHERWISE SPECIFIED:		APVD P DESANTIS 5/23/97	NAME		
0 PLC ± -		PRODUCT SPEC	RECEPTACLE, FASTON, 2.79 [.110] SERIES		
1 PLC ± -		APPLICATION SPEC	SIZE	CAGE CODE	DRAWING NO
2 PLC ± 0.38 [.015]		WEIGHT -	A3	00779	C-63021
3 PLC ± -		CUSTOMER DRAWING	SCALE	SHEET	REV
4 PLC ± -			5:1	1 OF 1	D
ANGLES ± -					
MATERIAL BRASS		FINISH 