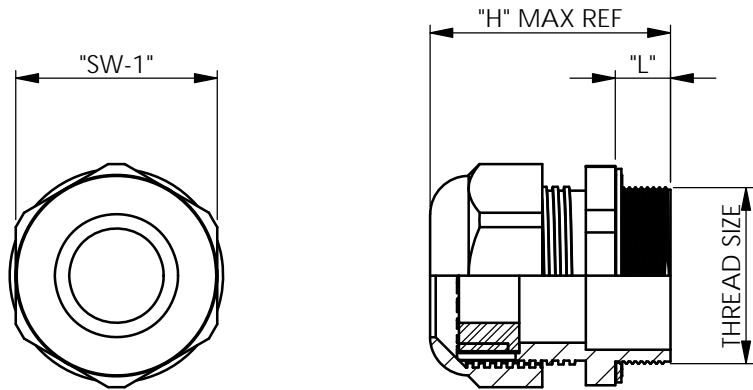
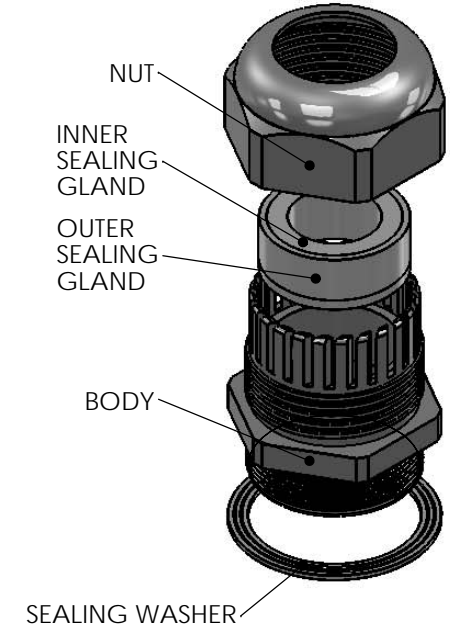


# **US #E336396**



REV.	MODIFICATION.	DATE	DRN
01	Production release	19/01/10	MT
02	CO2010958	15/07/10	MT
03	CO2011029	14/12/10	SF
04	CO2011176	27/07/11	SF

PART NUMBER COLOUR: GREY RAL 7035 SPECIAL ORDER NAFTA	PART NUMBER COLOUR: BLACK RAL 9005 SPECIAL ORDER EU	THREAD SIZE	CABLE DIAMETER		SUGGESTED CLEARANCE HOLE FOR NON THREADED MOUNTING	"L" ±0.5[.020]	"SW-1" ±0.5[.020]	"H" MAX REF	INSTALLATION TORQUE** Nm
			MIN $\phi$	MAX $\phi$					
CG-M12-1*	CG-M12-1-BK*	M12	2[.079]	5[.197]	12.2[.480]	8[.315]	15[.591]	31[1.220]	0.7
CG-M16-1	CG-M16-1-BK	M16	3[.118]	10[.394]	16.2[.638]		20[.787]	35.5[1.398]	2.0
CG-M20-1	CG-M20-1-BK	M20	5[.197]	13[.512]	20.2[.795]		24[.945]	36[1.147]	2.7
CG-M25-1	CG-M25-1-BK	M25	8[.315]	17[.669]	25.2[.992]	10[.394]	29[1.142]	43[1.623]	5.0
CG-M32-1	CG-M32-1-BK	M32	12[.472]	21[.827]	32.2[1.268]		36[1.147]	50[1.968]	7.5
CG-M40-1	CG-M40-1-BK	M40	16[.630]	28[1.102]	40.2[1.583]		46[1.811]	51[2.008]	
SEALING WASHER INCLUDED WITH THREADS M32 AND M40									
*CG-M12-1 SOLD WITH OUTER SEALING GLAND ONLY									
**TESTED WITH SPECIFIED TEST MANDRELS ACCORDING DIN EN 50262, CHAPTER 5.7. DEPENDING ON THE CABLE CONSTRUCTION DIFFERENCES ARE POSSIBLE.									



- NOTES:
- 1) TEMPERATURE RANGE -20°C TO +100°C
  - 2) PROTECTION GRADE IP68 - 5 BAR
  - 3) REMOVE THE INNER SEALING GLAND FOR LARGER CABLE DIAMETERS

ALTERNATE UNITS FOR REFERENCE ONLY

INFORMATION CONTAINED IN THIS DOCUMENT IS CONFIDENTIAL TO RICHCO INTERNATIONAL Co. Ltd. AND MAY NOT BE DISCLOSED OR REPRODUCED IN WHOLE OR PART WITHOUT THEIR WRITTEN CONSENT.

<b>RICHCO, INC.</b> WWW.RICHCO-INC.COM	ALL DIMENSIONS IN mm[inch] GENERAL TOLERANCES UNLESS OTHERWISE STATED 1 DECIMAL PLACE ± 2 DECIMAL PLACES ± ANGULAR ±1°	THIRD ANGLE
MATERIAL: BODY AND NUT - NYLON 6 UL94 V-2 (RMS-036) OUTER SEALING GLAND - CR/NBR (RMS-037) INNER SEALING GLAND - TPE (RMS-040) SEALING WASHER - NBR (RMS-041)	COLOUR: BODY AND NUT: SEE TABLE SEALS: BLACK	
DESCRIPTION: <b>CABLE GLANDS - M TYPE</b>	PART No: <b>CG-MXX-X</b>	
DRG No: <b>09-110</b>	NPR No: <b>EU09-0034</b>	SHEET SIZE <b>A4</b>
DRN <b>MT</b>	DATE <b>09/04/09</b>	CHKD <b>TC</b>
DATE <b>08/10/09</b>	SCALE <b>NTS</b>	SHEET No. <b>1 OF 1</b>